



CLEAR-COM ENCORE

MS-702 TWO-CHANNEL MAIN STATION

I N S T R U C T I O N M A N U A L

MS-702 Main Station Instruction Manual
© 2007 Vitec Group Communications
All Rights Reserved

Part Number 810342Z Rev. 3

Vitec Group Communications, LLC.
850 Marina Village Parkway
Alameda, CA 94501
U.S.A

Vitec Group Communications
7400 Beach Drive
Cambridge Research Park
Cambridgeshire
United Kingdom
CB25 9TP

Vitec Group Communications
Room 1806, Hua Bin Building
No. 8 Yong An Dong Li
Jian Guo Men Wai Ave
Chao Yang District
Beijing, P.R. China 100022

Clear-Com is a registered trademark of Vitec Group Communications.
The Clear-Com **Logo** is a registered trademark of Vitec Group Communications.

CONTENTS

OPERATION	1-1
Introduction	1-1
Description	1-1
Operation	1-2
Front Panel	1-2
Rear Panel	1-7
Re-Setting Program Interrupt Options	1-11
 INSTALLATION	 2-1
 MAINTENANCE	 3-1
Introduction	3-1
MS-702 Block Diagram	3-1
Troubleshooting Tips	3-2
 TECHNICAL SPECIFICATIONS	 4-1
MS-702 Two-Channel Station	4-1
 LIMITED WARRANTY	 5-1
Warranty Period	5-i
Technical Support	5-i
Warranty Repairs and Returns	5-ii
Non-Warranty Repairs and Returns	5-ii
Extended Warranty	5-ii
Service Contract	5-iii
Liability	5-iii

IMPORTANT SAFETY INSTRUCTIONS

Please read and follow these instructions before operating this product.

1. Read these instructions.
2. Keep these instructions.
3. Heed all warnings.
4. Follow all instructions.
5. Do not use this apparatus near water.
6. Clean only with dry cloth.
7. Do not block any ventilation openings. Install in accordance with the manufacturer's instructions.
8. Do not install near any heat sources such as radiators, heat registers, stoves, or other apparatus (including amplifiers) that produce heat.
9. Do not defeat the safety purpose of the polarized or grounding-type plug. A polarized plug has two blades, with one wider than the other. A grounding-type plug has two blades and a third grounding prong. The wide blade or the third prong are provided for your safety. If the provided plug does not fit into your outlet, consult an electrician for replacement of the obsolete outlet.
10. Protect the power cord from being walked on or pinched particularly at plugs, convenience receptacles, and the point where they exit from the apparatus.
11. Only use attachments/accessories specified by the manufacturer.
12. Use only with the cart, stand, tripod, bracket, or table specified by the manufacturer, or sold with the apparatus. When a cart is used, use caution when moving the cart/apparatus combination to avoid injury from tip-over.
13. Unplug this apparatus during lightning storms or when unused for long periods of time.
14. Refer all servicing to qualified service personnel. Servicing is required when the apparatus has been damaged in any way, such as power-supply cord or plug is damaged, liquid has been spilled or objects have fallen into the apparatus, the apparatus has been exposed to rain or moisture, does not operate normally, or has been dropped.
15. **WARNING:** To reduce the risk of fire or electric shock, do not expose this product to rain or moisture.

Please familiarize yourself with the safety symbols in Figure 1. When you see these symbols on this product, they warn you of the potential danger of electric shock if the main station is used improperly. They also refer you to important operating and maintenance instructions in the manual.



This symbol alerts you to the presence of uninsulated dangerous voltage within the product's enclosure that might be of sufficient magnitude to constitute a risk of electric shock. Do not open the product's case.



This symbol informs you that important operating and maintenance instructions are included in the literature accompanying this product.

Figure 1: Safety Symbols

EMC AND SAFETY

The MS-702 station meets all relevant CE, FCC, UL, and CSA specifications set out below:

EN55103-1 Electromagnetic compatibility. Product family standard for audio, video, audio-visual, and entertainment lighting control apparatus for professional use. Part 1: Emissions.

EN55103-2 Electromagnetic compatibility. Product family standard for audio, video, audio-visual, and entertainment lighting control apparatus for professional use. Part 2: Immunity.

UL 60065-7, CAN/CSA-C22.2 No.60065-3, IEC 60065-7 Safety requirements.

And thereby compliance with the requirement of Electromagnetic Compatibility Directive 2004/108/EC and Low Voltage Directive 2006/95/EC

This device complies with Part 15 of the FCC Rules. Operation is subject to the following two conditions: (1) this device may not cause harmful interference, and (2) this device must accept any interference received, including interference that may cause undesired operation.



OPERATION

The MS-702 two-channel main station is a powerful, yet user-friendly unit that can serve as the heart of a Clear-Com system.

INTRODUCTION

Congratulations on choosing this Clear-Com product. Clear-Com was established in 1968 and remains the market leader in providing intercoms for entertainment, broadcast and industrial applications. The ruggedness and high build-quality of Clear-Com products defines the industry standard. In fact, many of our original belt packs and main stations are still in daily use around the world.

The MS-702 two-channel main station is a powerful, yet user-friendly unit that can serve as the heart of a Clear-Com system. We recommend that you read through this manual completely to better understand the functions of the MS-702. If you encounter a situation or have a question that this manual does not address, contact your dealer or call Clear-Com directly at the factory. Our applications support and service people are standing by to assist you. (Refer to Chapter 5: “Warranty” for contact information.) Thank you for selecting Clear-Com for your communications needs.

DESCRIPTION

The Clear-Com MS-702 is a two-channel, one-rack space main station ideal for ENG and EFP trucks, production studio consoles, theatre, live performances, and small TV facilities. It features excellent speech intelligibility in all noise levels and can be tailored to your needs through its programmable options.

Selectable two-channel talking and/or listening allows the operator to communicate on either of the intercom channels separately or on both at once. The illuminated dual-action talk buttons provide electronic *momentary* or *latching* capability. Monitoring can be done through the headset, the integral speaker, or both at once. The MS-702 offers both visual and audible call signaling to attract the attention of operators who have removed their headsets or turned off their speakers. The *remote mic kill* (RMK) feature provides the ability to turn off all open mics on remote belt packs.

The MS-702 can control a paging speaker for studio announcements. A front panel button activates both this function and an associated relay. A balanced program input allows monitoring of external audio using the headset or speaker.

This main station accepts dynamic headsets. Individual sidetone controls for each intercom channel allow the operator to vary the level of his/her own voice as heard in the headset and speaker. It also accepts Clear-Com gooseneck panel microphones.

The integral speaker can be turned on or off by a convenient front panel switch. An automatic speaker dipping circuit will lower the level of the speaker when the *announce* button, *talk* buttons or *program* interrupt are activated. This feature helps minimize feedback.

The MS-702 also incorporates a dual-channel program interrupt system (IFB). When activated, one or more stations can interrupt the program audio to either another intercom station or a talent wearing Clear-Com's wired or wireless talent receivers. Clear-Com's stand-alone IFB system can also be connected to this station.

The MS-702 provides DC power to operate Clear-Com beltpacks and remote stations. The power is distributed between the two channels and will support up to 40 RS-601 beltpacks or 10 speaker stations or 12 headset stations.

Clear-Com's fail-safe design automatically shuts down the power to a channel when a short circuit or electronic overload is sensed on that channel. The other channel will continue to operate normally. Once the fault condition is removed, the MS-702's fail-safe circuit will restore power, even under full load conditions. LED indicators signal a short or overload on either channel.

The DC power output details are:

- 1.2A continuous output
- 2A peak output (not exceeding the 1.2A rating for more than 2 seconds per 1 minute period)

The MS-702 will operate from any AC line voltage between 100 and 240 volts AC at 50 or 60 Hz. The MS-702 installs in a standard 19-inch (48.26 cm) equipment rack, using only one rack space. The steel chassis and extra-thick front panel with integral rack ears maintains legendary Clear-Com ruggedness. Three 3-pin XLR connectors are provided for connection to each intercom channel.

The MS-702 is compatible with all Clear-Com party-line intercoms.

OPERATION

Normal operation of the MS-702 main station requires access only to the front panel controls. The controls located elsewhere on the unit are intended to be set-and-forget in nature. For intercom operation, set the listen-level controls for each channel to the desired level and press the *talk* buttons when talking. If a headset is used, set the *sidetone* control for each channel for the desired amount of sidetone in the earphone. If using the panel mic and speaker, set the sidetone controls for minimum feed-through to the speaker to prevent feedback.

FRONT PANEL

The controls, indicators, and connectors found on the MS-702 front panel are shown in the following figure and are described in the text that follows. The numbers in the left column refer to Figure 1-1.

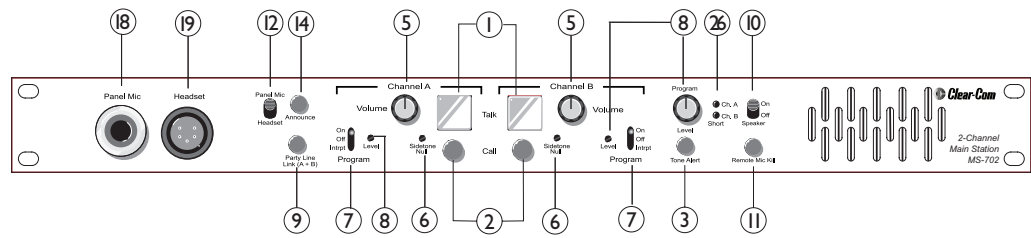


Figure 1-1: Front Panel

1. **Talk Buttons:** Each channel has an illuminated *talk* button for activating the microphone feed to that channel. Each talk button has a dual action (*momentary* or *latching* feature) depending on how the button is pressed. If desired, the latching function for each channel can be defeated using the option switches on the rear panel. The following describes the various functions of these multi-purpose buttons:

- **MOMENTARY:** Press and hold the *talk* button while you are speaking. Release it when you are finished.
- **LATCHING:** Press the *talk* button quickly to latch the talk function. Press the button again to turn off the talk function.
- **TALK INDICATION:** The *talk* button will illuminate yellow whenever the talk function is activated. The *talk* button illuminates blue whenever the station is receiving power, but the talk function is off.
- **CALL INDICATION:** The *call* button will flash red when a *call* signal is received on that channel.
- **CALL ON TALK:** Each channel can optionally be set to send a *call* signal whenever you press the *talk* button. This function activates program interrupts or any other call-activated function available on other stations. Option switches on the rear panel enable this function.
- **SPEAKER MUTE:** If the front panel speaker is turned on, pressing either *talk* button will reduce the speaker output level to avoid feedback.

The talk buttons can be labeled to indicate their function. To label the talk buttons, use the following procedure:

1. Pull the *talk* button straight off.
 2. Insert a small flat blade screwdriver into the slot between the cap and the body of the button and gently twist. This will remove the cap.
 3. Remove the square white diffuser from the cap.
 4. Insert a 1/2 in. (1.27 cm) x 1/2 in. (1.27 cm) square of thin paper with the needed description into the cap. Follow it up with the square white diffuser and press the cap onto the body of the button. Press the button back into the front panel.
2. **Call Buttons:** Each channel has its own *call* button. Pressing a call button will send a call signal on that channel. All the call lights on that channel will flash. Call signals can also be sent while talking if required. The *call* button will flash while the call button is pressed, indicating the presence of a call signal on the line.

3. **Tone Alert:** An audible tone alert can be enabled to sound when a *call* signal is received on either channel. This can be useful when the operator's attention has been drawn away from the MS-702 indicator panel. Press the *tone alert* button to alternately enable or disable the audible tone alert. The button illuminates blue when the audible tone alert is enabled. When enabled, the tone alert will sound when a call button on a beltpack or station is pressed. The tone alert will not sound if a call signal is originated at the MS-702 station. The level can be adjusted by the control on the rear panel (See number 4 on the rear panel diagram later in this chapter).
5. **Listen Level Controls:** Each channel has a separate *listen level* control. Turn these controls to set the listen level you need on each channel. Turn the control completely counterclockwise to silence a channel.
6. **Sidetone Controls:** Each channel has a *sidetone null* control. Sidetone is the level of your own voice that you hear while talking on the intercom. Setting a comfortable level of sidetone will ensure that the intercom line sounds alive and also helps you adjust your voice relative to other voices on the line.

Typically, different *sidetone null* settings are needed depending upon whether you are using the gooseneck panel microphone along with the speaker. Use one of the following procedures to correctly set the sidetone level controls.

Sidetone Adjustment Procedure for Gooseneck Microphone with Speaker turned on:

1. Turn off the *party-line link (A+B)* switch.
2. Turn the level control for channel B all the way down. Set the *level* control for channel A to a comfortable level.
3. Press the channel A *talk* button and speak into the microphone while turning the *sidetone null* control for channel A slowly back and forth. There should be a point where your voice (and any accompanying acoustic feedback) disappears. This is the null point.
4. Repeat this procedure for channel B by turning the channel A *level* control down and adjusting the channel B controls.

Sidetone Adjustment Procedure for Headset:

1. Turn off the *party-line link (A+B)* switch.
 2. Turn the level control for channel B all the way down. Set the *level* control for channel A to a comfortable level by having someone talk to you from another station.
 3. Press the channel A *talk* button and speak into the microphone while turning the *sidetone null* control for channel A slowly back and forth until you hear your voice at a comfortable level in the headset.
 4. Repeat this procedure for channel B by turning the channel A *level* control down and adjusting the channel B controls.
7. **Program ON-OFF-INTRPT Switches:** The *program on-off-intrpt* switches are used to manually or automatically control program audio feed into the intercom lines. The settings are as follows:
 - **ON:** The channel will receive program audio when the switch is set to *on*. The audio level for each channel can be adjusted with the program level trimpots.

- OFF: The channel will not receive program audio when the switch is set to *off*.
- INTRPT: Pressing the *talk* button will interrupt the program when this switch is set to *intrpt*.

Note: You can set this feature so that pressing the call button for a channel, rather than the talk button, interrupts the program audio. See the section “Resetting Program Interrupt Options” at the end of this chapter.

8. **Program Level Controls:** Adjust the program-level controls to set the program audio level heard on the intercom. There are three program-level controls. The *program level* knob to the left of the speaker *on-off* switch adjusts the level of program heard in the headset or panel speaker of the MS-702.

The program levels heard on each intercom channel line can be individually adjusted, but this is intended to be a one-time setting made when the MS-702 is set up. This is done using the screwdriver level adjustment trim-pots adjacent to the *program on-off-intrpt* switches on channels A and B. Set the *sidetone null* controls and the *program level* knob fully counterclockwise when adjusting the individual channel program-level trimpots. After the program-level trimpots are properly adjusted, use the procedure listed in the **Sidetone Controls** section on this page to set the sidetone level.

Note: Do not force the trimpots past their stop points. This will damage them.

9. **Party-line Link (A+B) Switch:** When pressed, the *party-line link (A+B)* button combines both intercom channels into one; for example, for rehearsals. The party-line link button illuminates amber when on, and all of the stations on the B channel will be moved onto the A intercom line. This will allow communication between everyone on both channels at once.

In this mode, the channel B controls and switches will be inactive. Since the wiring for the B channel has been now added to the A channel, the *sidetone null* control for channel A may require some readjustment.

10. **Speaker ON/OFF Switch:** The *speaker on/off* switch turns the front panel speaker on or off. This switch does not affect whether the tone alert is heard through the speaker. The speaker volume will automatically dip whenever the panel or headset microphone is on.
11. **Remote Mic Kill Switch:** The *remote mic kill* (RMK) switch will turn off the talk function of every belt-pack on channels A and B. If the talk functions of a large number of belt-packs have inadvertently been left activated, incidental noise and talking can make it difficult or impossible to communicate on the party-line intercom. The RMK switch can be pressed to quiet the line in this situation. Those needing to communicate can then set their talk functions to *on* as needed.

Note: The RMK switch can only function if the MS-702 main station is powering all of the stations in the system. The switch momentarily interrupts power to the other belt-packs and stations in the system. If there are other power supplies or main stations in the system, then the RMK switch cannot interrupt power and therefore cannot work.

12. **Mic Select Switch:** Set the *mic select* switch to select whether the panel microphone or the headset microphone is active.
13. **Panel Mic Gain:** This control is located on the inside of the MS-702 chassis. It may be used to increase or decrease the volume of the panel microphone. It has no effect on the sensitivity of the headset microphone.

To adjust the panel microphone gain, remove the top cover of the MS-702. Locate the R161 control which is on the leftmost side of the circuit board, toward the front of the MS-702 when facing it. Use a small screwdriver to turn the control clockwise to increase sensitivity or counterclockwise to decrease sensitivity.

Note: This adjustment should only be carried out by qualified service personnel.

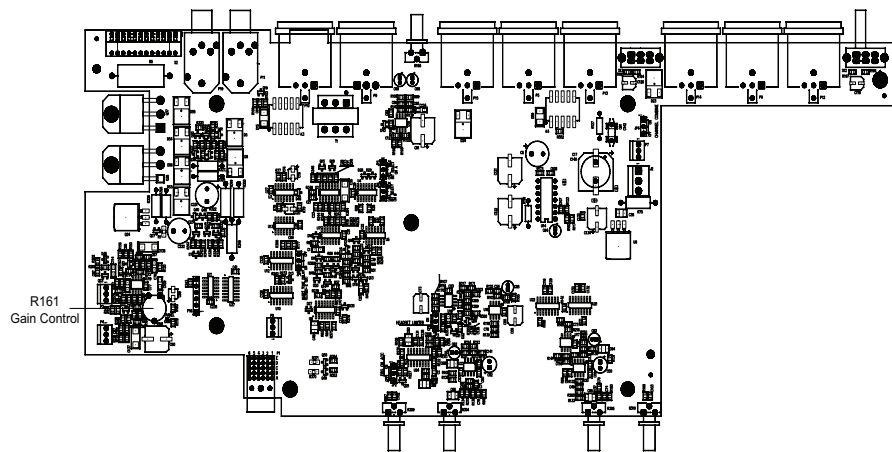


Figure I-2: Gain Adjust Control R161

14. **Announce:** Press the *announce* button to make stage or PA system announcements. It directs the audio from the selected headset or panel microphone to the *annc out* rear panel connector and activates the announce relay. Simultaneously, if the program audio feed to the announce output is enabled, it is interrupted by the announcement. Program audio feed to the announce output is selected by setting jumper JP2 on the main board to the *on* position. Optionally, pressing the announce button can also disconnect the selected headset or panel microphone audio from the intercom line(s). This option is controlled by the *interrupt announce option* switch.

Note: This adjustment should only be carried out by qualified service personnel.

18. **Panel Mic Connector:** Clear-Com recommends the GM-9 and GM-18 plug-in panel microphones for use with the MS-702. The GM-9 is 9 in. (22.86 cm) long and the GM-18 is 18 in. (45.72 cm) long. The microphone is an electret type. The 1/4 in. (0.64 cm) phone jack on the microphone mates with the *panel mic* receptacle on the front panel of the MS-702.

To install a GM-9 or GM-18 microphone, use the following steps:

1. Check and unscrew the set screw in the mic mounting flange to make sure it is clear of the threads in the bushing.
2. Screw the microphone into the bushing hand tight.
3. Turn the set screw on top of the mic mounting flange clockwise to lock the microphone in place.

19. **Headset Connector:** The headset connector is located on the front panel. All Clear-Com headsets are recommended for use with the MS-702. The following is a description of the characteristics of a suitable headset:

Mic Type --- Dynamic, see technical specifications for details

Headphone --- Dynamic, see technical specifications for details

The wiring of the headset is to be as follows:

Pin 1 --- Mic common

Pin 2 --- Mic hot

Pin 3 --- Headphone common

Pin 4 --- Headphone hot

The mic and headphone wiring in the headset cord must be individually shielded. **Do not connect pins #1 and #3 together.** Headset extension cords or headset “Y” cables are not recommended because they will increase crosstalk between channels.

26. **Short Lights:** There is one red light for channel A and one for channel B. These lights illuminate when the MS-702 senses a short or overload on the associated channel. When the fault is removed, the MS-702 will automatically reset and the light will go out.

REAR PANEL

The controls and connectors found on the MS-702 rear panel are shown in the following figure and briefly described by the text that follows. The numbers in the left column refer to Figure 1-3.

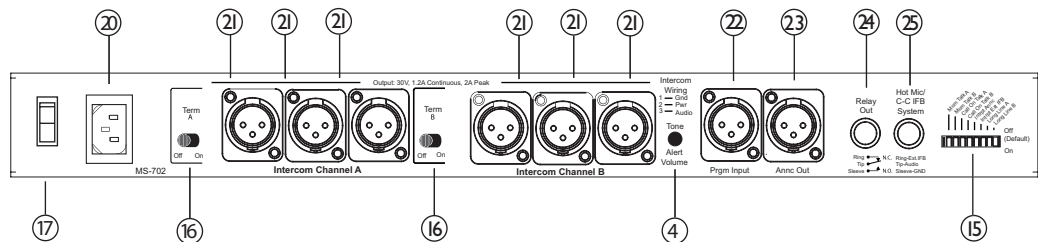


Figure 1-3: Rear Panel

4. **Tone Alert Volume Control:** This control adjusts the volume of the tone alert sound. This is normally adjusted when the system is set up and there should be no need to adjust it in normal operation.
15. **Option Switches:** Eight option switches are provided on the rear panel. They should be configured when the system is set up, but are not changed in

normal operation. The default position of the switches is in the *off* (up) position. The function of each switch is as follows:

1. MOM TALK A: Setting the *momentary talk A* switch to the *on* position will disable the latching function of the channel A *talk* button. In this mode, the *talk* button must always be held in continuously while the operator is talking on channel A.
 2. MOM TALK B: Setting the *momentary talk B* switch to the *on* position will disable the latching function of the channel B *talk* button. In this mode, the talk button must always be held in continuously while the operator is talking on channel B.
 3. CALL ON TALK A: If the *call on talk A* switch is set to the *on* position, a call signal will be placed on channel A whenever the *talk* function is activated. This can be used to activate any *call*-activated functions available on other stations.
 4. CALL ON TALK B: If the *call on talk B* switch is set to the *on* position, a call signal will be placed on channel B whenever the *talk* function is activated. This can be used to activate any *call*-activated functions available on other stations.
 5. INTRPT ANNC: If the *interrupt announce* switch is set to the *on* position, pressing the *announce* button will disconnect the microphone from the intercom line(s). This will allow announcements to be made without being heard over the intercom channels.
 6. INTRPT EXT IFB: When the *hot mic* output is connected to Clear-Com's IFB system and the *interrupt external IFB* switch is set to the *on* position, pressing a key on the IFB system will disconnect the selected headset or panel microphone from the intercom line(s). This allows the MS-702 microphone to be used to cue talent without affecting intercom line communication.
 7. LONG LINE A: If a long cable run on channel A is unavoidable and approaches 1,000 ft. (305 m) or more, set the *long line A option* switch to the *on* position. The ability to set a sidetone null on channel A depends upon properly setting this switch.
 8. LONG LINE B: If a long cable run on channel B is unavoidable and approaches 1,000 ft. (305 m) or more, set the *long line B option* switch to the *on* position. The ability to set a sidetone null on channel B depends upon properly setting this switch.
16. **Termination Switches:** These switches provide switchable terminations for channels A and B. In most systems, both terminations on the MS-702 should be in the *on* position (default setting). The fundamental concept of the Clear-Com party-line intercom is that all channels are terminated in one location, preferably at a main station or power supply. The termination switches on the MS-702 rear panel should be set to the *off* position **only** if the channel is terminated by another main station or power supply in the system. **If there are no other main stations, power supplies, or other terminations on the line, set the rear panel switches labeled *term A* and *term B* to the *on* position.**

Note: All intercom lines must be terminated only once, whether they are used or not. Never "double-terminate" a line.

17. **Power Switch:** The power switch can be used to turn AC power to the MS-702 on and off. When in the *on* position, the front-panel *talk* buttons illuminate blue.
20. **AC Power Connection:** An IEC type 320 connector is provided to interface to the appropriate AC power cord to be used. The MS-702 will automatically adjust for the power applied, so there are no manual switches to set power line voltage or frequency.

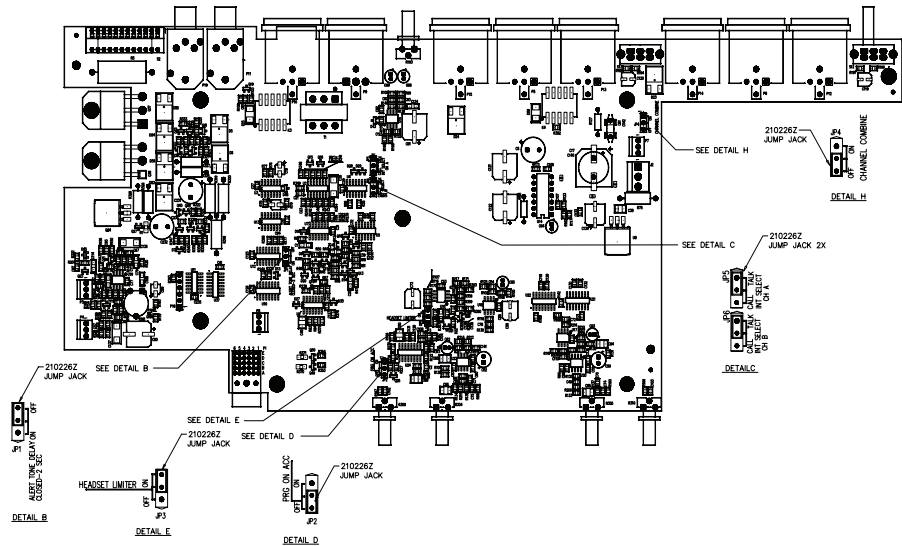


Figure I-4: MS-702 PCB Jumpers

21. **Intercom Line Connection:** The MS-702 contains three 3-pin male XLR connectors for each intercom line. These connectors are wired in parallel. Any single-channel station or channel of a multi-channel station connected on a line plugged into channel A of the MS-702 will be “party lined” with all the other stations on that channel. In a multi-channel system, the goal is to assign specific people to the correct group (i.e. the other people they need to be in contact with the most). This is particularly important when the party-line users are on a single-channel beltpack or station, less so if they are on multi-channel stations. The pinout of the intercom connectors is as follows:
 - Pin 1 --- Ground (shield)
 - Pin 2 --- Power
 - Pin 3 --- Audio
22. **Program Input:** A 3-pin XLR female connector provides the main program input to the station. Program can be fed to the headphone or speaker as well as to either or both of the intercom channels. The level to the speaker or headphone is controlled by the *program level* control. The program *on-off-intrpt* switches control whether each intercom channel receives program audio. The program audio levels on each intercom channel can be adjusted using the individual program-level trimpots. An option is to feed program audio to the *announce* output. This is selected by setting jumper

JP2 on the main board to the *on* position. This adjustment should only be carried out by qualified service personnel.

The pinout of the *program input* connector is as follows:

Pin 1 --- Ground (shield)

Pin 2 --- + Signal

Pin 3 --- - Signal

23. **Announce Out:** A 3-pin XLR male connector is provided as a feed to a studio PA amplifier. Pressing the *announce* button on the front panel places the audio from the selected headset or panel microphone on the *annc out* rear-panel connector. Optionally, pressing the announce button can also disconnect the selected headset or panel microphone from the intercom line(s). This option is controlled by the *interrupt announce option* switch. Simultaneously, if the program audio feed to the announce output is enabled, it is interrupted by the announcement. Program audio feed to the announce output is selected by setting jumper JP2 on the main board to the *on* position. The pinout of the *announce out* connector is as follows:

Note: This adjustment should only be carried out by qualified service personnel.

Pin 1 --- Ground (shield)

Pin 2 --- - Signal

Pin 3 --- + Signal

The audio output is balanced and transformer isolated. A shielded twisted pair cable should be used in the cable wired to this connector.

24. **Relay Out:** A dry set of relay contacts is provided through a 1/4-in. (0.64 cm) jack to activate external switching as needed when the *announce* button is pressed. These contacts can be used to control an external device such as a PA amplifier to another room. The contacts are rated for 2.0 A at 24 VDC. The contacts are wired as follows:

Ring --- Normally closed contact

Tip --- Common contact

Sleeve --- Normally open contact

25. **Hot Mic Out / IFB System:** This connection is a 1/4-in. (0.64 cm) phone jack. It provides an output signal from the selected headset or panel microphone. This output is intended to interface with the external line-in jack on Clear-Com's IFB System.

The jack is wired as follows:

Ring --- Ext. IFB control signal input

Tip --- Hot mic audio output

Sleeve --- Ground (shield)

27. **Headset Audio Limiter:** To protect the hearing of the user, the *headset audio limiter* restricts the maximum audio level heard in the headset. The MS-702

unit is shipped with the *headset audio limiter* on. You can turn this feature on or off by using a jumper located on the main circuit board.

Note: This adjustment should only be carried out by qualified service personnel.

To turn the audio limiter on or off:

1. Please observe anti-static procedures. Circuit cards can be damaged by static electricity. Please ground yourself and tools before touching any circuit cards.
2. Disconnect the unit from AC mains electricity.
3. Remove the cover of the MS-702 by removing the eight Phillips screws.
4. Locate the three-pin jumper labeled “J3” on the center frontmost portion of the circuit card.
5. A jumper plug is located over pins 2 and 3. This is the *on* setting.
6. Do one of the following to turn the audio headset limiter feature on or off:
 - To turn the feature on, place the jumper plug over pins 2 and 3.
 - To turn the feature off, place the jumper plug over pins 1 and 2.
7. Replace the cover of the MS-702.
8. Connect the unit to AC mains electricity.

RE-SETTING PROGRAM INTERRUPT OPTIONS

When you set one of the front-panel *Program ON-OFF-INTRPT* switches to the INTRPT position, any *talk* signal activated on that channel interrupts the *program audio* during the talk signal.

You can change this option so that activating a *call* signal, rather than a *talk* signal, interrupts the program audio for the duration of the signal. You do this by re-setting an internal jumper on the station’s internal circuit board.

Note: This adjustment should only be carried out by qualified service personnel.

To re-set the program interrupt option:

1. Please observe anti-static procedures. Circuit cards can be damaged by static electricity. Please ground yourself and tools before touching any circuit cards.
2. Disconnect the unit from AC mains electricity.
3. Remove the cover of the MS-702 by removing the eight Phillips screws.
4. On the main circuit board, locate one of the following:
 - **For channel A:** The JP5 three-pin jumper, located in the center of the circuit board.

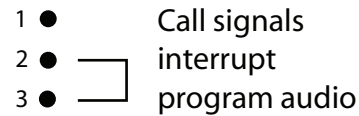
- **For channel B:** The JP6 three-pin jumper, located in the center of the circuit board.
5. A jumper plug covers two of the three pins on each jumper. To change the program-interrupt option on your station, do one of the following:
- **For channel A:** Move the jumper plug so that it covers pins 2 and 3. This causes call signal activation to interrupt the program audio
 - **For channel B:** Move the jumper plug so that it covers pins 2 and 3. This causes call signal activation to interrupt the program audio.

In the default position, the jumper plug covers pins 1 and 2, which causes *talk* signal activation, rather than *call* signal activation, to interrupt the program audio.

JP5, for channel A



JP6, for channel B



FOR EITHER CHANNEL:

To interrupt program audio during talk signals, place jumper plug over pins 1 and 2.

To interrupt program audio during call signals, place jumper plug over pins 2 and 3.

Figure 1-5: Changing Program Interrupt Options

2 INSTALLATION

1. Unpack the unit and inspect for any damage that may have occurred in shipping.
2. Connect the proper AC mains cable.
3. Install the MS-702.

Note: For additional information, refer to the Clear-Com System Installation Manual.

4. Connect the AC to the mains circuit.

Note: Information on the mains power requirement is given on the underside of the unit.

5. Connect the intercom lines.
6. Set the two termination switches on the rear panel to *on*.
7. Set the *option* switches to the default (up) position.
8. Switch power *on*.

The blue *talk* button lights should be *on* and the two red short lights should be *off*.

9. Set listen levels and sidetones.

Refer to the listen level and sidetone setting topics in the *Operation* section of this manual.

10. The intercom system should now be operating properly.

Read the rest of this manual for further information.

3 MAINTENANCE

INTRODUCTION

This chapter provides maintenance information, including a block diagram and troubleshooting tips.

Caution: These servicing instructions are for use by qualified personnel only. To reduce the risk of electrical shock, do not perform any servicing other than that contained in the operating instructions unless you are qualified to do so.

MS-702 BLOCK DIAGRAM

The following is a block diagram of the MS-702:

MS-702

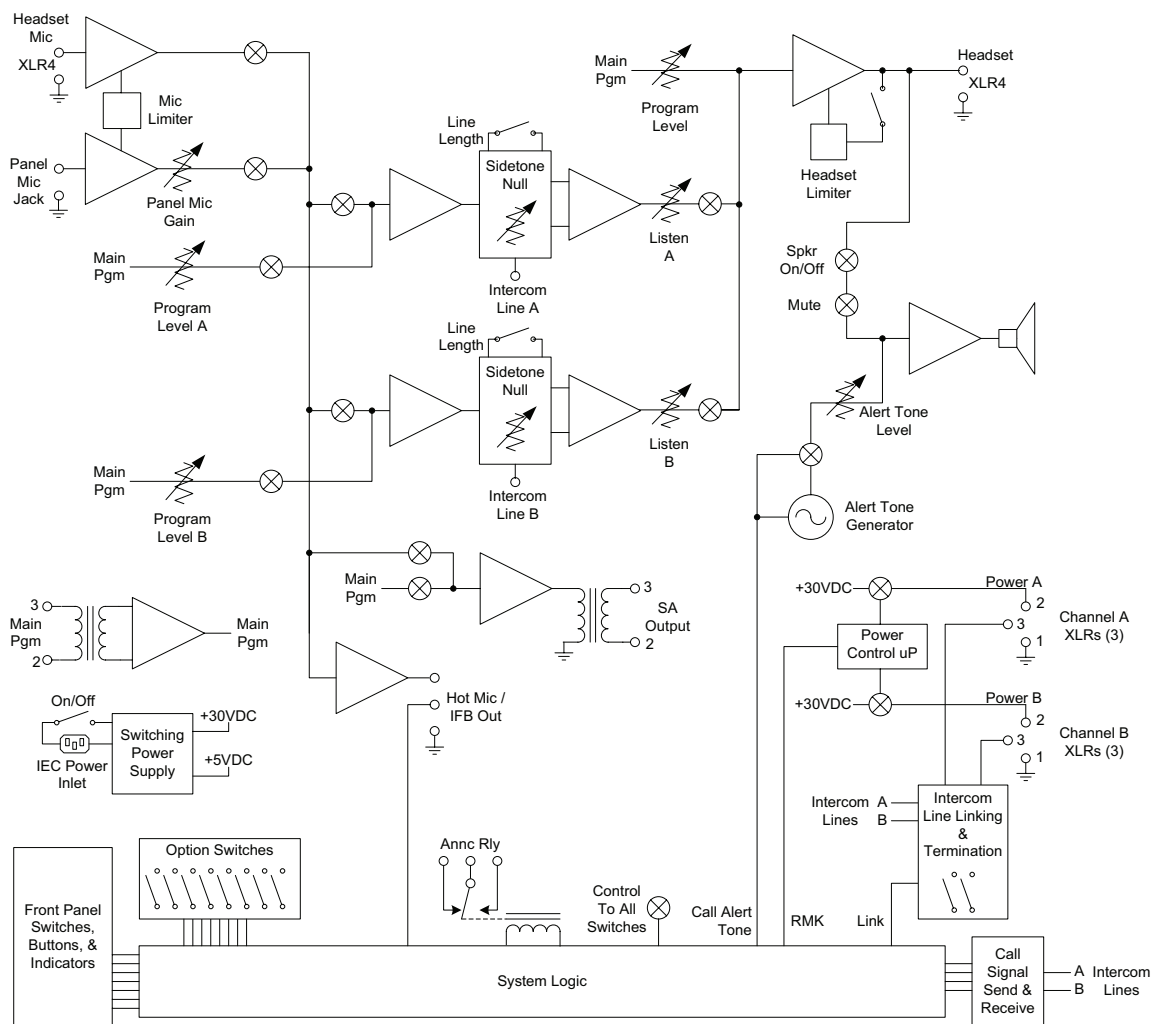


Figure 3-6: Block diagram of the MS-702

TROUBLESHOOTING TIPS

SYMPTOM	CAUSE	SOLUTION
System does not operate. Blue talk <i>buttons</i> do not illuminate and <i>short</i> lights do not illuminate.	No AC power to the MS-702.	Make sure the power switch on the rear panel is turned <i>on</i> . Check the AC connection and cable. Plug into a dependable AC source.
	The MS-702 has an internal power supply failure.	Unit requires servicing.
System does not operate when power switch is turned on. Blue <i>talk</i> lights and red <i>short</i> lights wink.	Direct short on the intercom channel indicated by the red <i>short</i> light.	Remove the intercom line cables one at a time from that channel until the faulty line is located. Once the short is removed, the MS-702 will reset automatically and power will come back up. Check for shorts between pins #1 and #2 or improper cable wiring.
Red <i>short</i> light is illuminated.	Short or overload on that channel due to a shorted or miswired cable.	Remove the intercom line cables one at a time from the system until the faulty line is located. (The red <i>short</i> light will then turn off.) Check for shorts between pins #1 and #2 or improper cable wiring. Once the short is removed, the MS-702 will reset automatically and power will come back up.
	Defective remote station.	Check the remote station and replace if necessary.
Both red <i>short</i> lights are illuminated.	System is overloaded.	Remove the intercom line cables one at a time from the system to help determine where the excess current requirements lie. Re-evaluate the system current needs.
	Short in multipair cable.	Remove the intercom line cables one at a time from system until the faulty line is located. Check for shorts between pins #1 and #2 or improper cable wiring.
Problem: Hum or buzz in system.	Inductive pickup caused by close proximity of this main station or connected remote stations to power lines or transformers.	Relocate the offending unit.

SYMPTOM	CAUSE	SOLUTION
	10 Ohm chassis ground resistor is open.	<p>Check the DC resistance for 10 Ohms between the chassis and pin #1 of any intercom connector.</p> <p>If this condition occurs, it is because the system ground came into contact with something that was “HOT” with respect to the power supply earth ground. Carefully check the system ground and AC distribution in the area.</p> <p><i>Warning: This is a potentially dangerous situation. A shock hazard may exist between a remote station headset and ground.</i></p>
System feedback (Acoustical)	<i>Listen level</i> control at this station or a remote station is set too high.	Adjust.
	<i>Sidetone null</i> control at this station or a remote station is not adjusted correctly.	Adjust. Refer to the procedure in the front panel section of this manual.
	Channel unterminated.	Set the MS-702 termination switch for that channel to the <i>on</i> position.
	A headset extension cord was used.	Headset extension cords are not recommended.
Excessive crosstalk	High DC resistance in ground return.	Use heavier cable; add additional conductor(s) to ground return.
	<i>Multi-channel</i> cable pairs are not individually shielded.	Replace cable with individually shielded pairs.
	Headset cables are not wired properly or shielded properly.	Correct wiring. Use headsets with properly shielded wiring.
Program signal sounds distorted.	Overload of <i>program input</i> circuit.	Reduce <i>program input</i> level or reduce the gain of the program signal at the source, such as an audio mixer.
Call signals do not function.	Excessive DC loading of intercom line.	Remove any audio transformers or other equipment that may be connected across the intercom line. If equipment other than Clear-Com intercom equipment must be connected to the intercom line, please contact Clear-Com application or service personnel for advice.

SYMPTOM	CAUSE	SOLUTION
	Far too many terminations on the intercom line.	Check all main stations and power supplies to make sure each intercom channel is terminated at only one point.

Table 3-1: Troubleshooting Tips

4

TECHNICAL SPECIFICATIONS

MS-702 TWO-CHANNEL STATION

dBu is an absolute measurement. 0 dBu is referenced to 0.775 volts RMS

Panel Microphone Input

Input Type	Electret
Input Impedance	$\geq 2K\Omega$
Mic Limiter Threshold	0 dBu \pm 3 dB
Mic Limiter Range	≥ 20 dB

Headset Microphone Input

Input Type	Dynamic
Input Impedance	$\geq 1K\Omega$
Mic Limiter Threshold	0 dBu \pm 3dB
Mic Limiter Range	≥ 15 dB

Program Line Input

Maximum Level before Clipping	≥ 20 dBu
Input Impedance	$\geq 5K\Omega$

Headset Output

Load Impedance	$\geq 8\Omega$
Output Impedance	$\leq 25\Omega$
Output Limiter Threshold	+5 dBu \pm 3 dB
Maximum Output Level before Distortion	≥ 17 dBu

Speaker Output

Load Impedance	$\geq 4\Omega$
Max Output Level before 1% Distortion	20 dBu \pm 2 dBu

Party Line Output

Off Noise	< -74 dBu
Output Impedance	$> 10 K\Omega$

Party Line Input

Crosstalk	< -60 dB
Max level before Clipping	≥ 12 dBu
Sidetone Null Capability	> 25 dB

Stage Announce/Balanced Line Out

Type	Balanced
Output Impedance	$\geq 200\Omega$
Load Impedance	$\geq 600\Omega$

IFB/Hot Mic

Type	Unbalanced
Output Impedance	180Ω
Load Impedance	>= 600Ω

Frequency Response

Panel Mic - Party Line	600 - 10KHz ± 3dB
Headset Mic - Party Line	200 - 12KHz ± 3 dB
Headset Mic - Line Out	200 - 12KHz ± 3 dB
Program Input - Party Line	100 - 17KHz ± 3 dB
Program Input - Headset Out	200 - 10KHz ± 3 dB
Program Input - Speaker Out	300 - 10KHz ± 3 dB
Party Line - Headset Out	200 - 10KHz ± 3 dB
Party Line - Speaker Out	300 - 10KHz ± 3 dB

Max Distortion

Panel Mic - Party Line	<= 0.5%
Headset Mic - Party Line	<= 0.5%
Headset Mic - Line Out	<= 0.5%
Program Input - Party Line	<= 0.2%
Program Input - Headset Out	<= 0.2%
Program Input - Speaker Out	<= 0.5%
Party Line - Headset Out	<= 0.2%
Party Line - Speaker Out	<= 0.5%

Noise

Panel Mic - Party Line	< -65 dBu
Headset Mic - Party Line	< -70 dBu
Headset Mic - Line Out	< -55 dBu
Program Input - Party Line	< -85 dBu
Program Input - Headset Out	< -60 dBu
Program Input - Speaker Out	< -60 dBu
Party Line - Headset Out	< -50 dBu
Party Line - Speaker Out	< -50 dBu

Max Gain

Panel Mic - Party Line	>= 37 dB
Headset Mic - Party Line	41 dB ± 2 dB
Headset Mic - Hot Mic Out	55 dB ± 3 dB
Headset Mic - Announce Out	55 dB ± 3 dB
Program Input - Party Line	>= -16 dB
Program Input - Headset Out	>= 18 dB
Program Input - Speaker Out	>= 24 dB
Party Line - Headset Out	>= 34 dB
Party Line - Speaker Out	>= 40 dB

Min Gain

Panel Mic - Party Line	<= 25 dB
------------------------	----------

Mains Power

Input Voltage Range	100 - 240 VAC
Input Frequency Range	50 - 60 Hz
Input Power	<= 60 VAC
Output Voltage	30 VDC \pm 0.5V
Output Current per Channel (Continuous)	1.2 A
Output Current per Channel (Peak)	2 A (Do not exceed the 1.2A rating for more than 2 seconds per 1 minute period)
Short Circuit Recovery Time (1st short)	<= 0.5 sec
Short Circuit Recovery Time \geq 20 shorts in 20sec)	<= 20 sec

Station Capacity

Up to 40 RS-601 beltpacks or 10 speaker stations or 12 headset stations distributed over both channels

Rear Panel Connectors

Intercom:	(6) XLR-3M (3 per channel)
Announce Out:	(1) XLR-3M (audio)
Announce Relay:	(1) 1/4 in. (0.64 cm) phone jack (relay)
Program:	(1) XLR-3F
Hot Mic / IFB Interface:	(1) 1/4 in. (0.64 cm) phone jack
AC Power:	IEC 320 connector

Rear Panel Controls

- (2) Termination On-Off switches
- (8) Option switches
- (1) Power switch
- (1) Tone alert volume control

Front Panel Connectors

Panel Mic:	(1) 1/4 in. (0.64 cm) panel mounting jack
Headset:	(1) XLR-4M

Front Panel Controls & Indicators

- (1) Panel / headset mic switch
- (1) Announce button
- (1) Party line link button
- (2) Program ON-OFF-INTERRUPT switches
- (3) Program level controls
- (2) Listen controls
- (2) Sidetone null controls
- (2) Talk buttons

- (2) Call buttons
- (1) Tone alert button
- (1) RMK button
- (1) Speaker ON-OFF switch
- (2) Short LEDs

Environmental

32 - 122° F (0 - 50° C)

Dimensions

19 in. W x 1.75 in. H x 6.5 in. D
(483 mm x 44 mm x 165 mm)

Weight

6.06 lbs. (2.75 kg)

Notice About Specifications

While Clear-Com makes every attempt to maintain the accuracy of the information contained in its product manuals, that information is subject to change without notice. Performance specifications included in this manual are design-center specifications and are included for customer guidance and to facilitate system installation. Actual operating performance may vary.

LIMITED WARRANTY

Vitec Group Communications (VGC) warrants that at the time of purchase, the equipment supplied complies with any specification in the order confirmation when used under normal conditions, and is free from defects in workmanship and materials during the warranty period.

During the warranty period VGC, or any service company authorized by VGC, will in a commercially reasonable time remedy defects in materials, design, and workmanship free of charge by repairing, or should VGC in its discretion deem it necessary, replacing the product in accordance with this limited warranty. In no event will VGC be responsible for incidental, consequential, or special loss or damage, however caused.

VGC offers 24 x 7 customer support if you have an Extended Warranty or Service Contract.

Return Material Authorization (RMA) numbers are required for all returns.

Both warranty and non-warranty repairs are available.

WARRANTY PERIOD

The product may consist of several parts, each covered by a different warranty period. The warranty periods are:

- Cables, accessories, components, and consumable items have a limited warranty of 90 days.
- Headsets, handsets, microphones, and spare parts have a limited warranty of one year.
- UHF wireless IFB products have a limited warranty of one year.
- UHF wireless intercom systems have a limited warranty of three years.
- All other Clear-Com and Drake brand systems and products, including belt packs, have a limited warranty of two years.

The warranty starts at the time of the product's original purchase. The warranty start date for contracts which include installation and commissioning will commence from the earlier of date of the Site Acceptance Test or three months from purchase.

TECHNICAL SUPPORT

To ensure complete and timely support to its customers, VGC's User Support Center is staffed by qualified technical personnel. Telephone and email technical support is offered worldwide by the User Support Center.

The User Support Center is available to VGC's customers during the full course of their warranty period. Telephone support during the warranty period will be offered at no charge between 09:00 and 17:00 according to the customer's local time zone.

In addition, for customers who purchase an Extended Warranty or Service Contract, 24-hour customer support is offered immediately upon purchase of

such agreement. For more information, contact your authorized dealer, distributor, or sales representative.

Instructions for reaching VGC's User Support Centers are given below.

Telephone for Europe, Middle East and Africa: +49 40 6688 4040

Telephone for the Americas and Asia: +1 510 337 6600

Email: vitec.support@AVC.de

Once the standard warranty period has expired, the User Support Center will continue to provide telephone support if you have purchased an Extended Warranty or Service Contract. In these cases, you will have access to telephone support 24 hours per day, 7 days per week.

WARRANTY REPAIRS AND RETURNS

Before returning equipment for repair, contact a User Support Center to obtain a Return Material Authorization (RMA). VGC representatives will give you instructions and addresses for returning your equipment. You must ship the equipment at your expense, and the support center will return the equipment at VGC's expense.

For out-of-box failures, use the following contact information:

Europe, Middle East and Africa

Tel: +44 1223 815000 Email: customerservicesEMEA@vitecgroup.com

North America, Canada, Mexico, Caribbean & US Military

Tel: +1 510 337 6600 Email: customerservicesUS@vitecgroup.com

Asia Pacific & South America

Tel: +1 510 337 6600 Email: customerservicesAPAC@vitecgroup.com

VGC has the right to inspect the equipment and/or installation or relevant packaging.

NON-WARRANTY REPAIRS AND RETURNS

For items not under warranty, you must obtain an RMA by contacting the User Support Center. VGC representatives will give you instructions and addresses for returning your equipment.

You must pay all charges to have the equipment shipped to the support center and returned to you, in addition to the costs of the repair.

EXTENDED WARRANTY

If you purchase an Extended Warranty, you are also given access free of charge to the User Support Center 24 hours a day, 7 days a week.

You can purchase an extended warranty at any time during the first two years of ownership of the product. The purchase of an extended warranty extends to five

years the warranty of any product offered with a standard two-year warranty. The total warranty period will not extend beyond five years. Any purchase of an extended warranty provides 24 x 7 customer support in addition to the warranty immediately upon purchase of the warranty extension.

Note: VGC does not offer warranty extensions on UHF wireless intercom systems, or on any product with a 1-year or 90-day warranty.

SERVICE CONTRACT

VGC also offers service contracts that provide 24 x 7 telephone support, advance replacements, training, proactive maintenance, on-site visits, and no charge for repair or replacement of equipment. For more information, contact your authorized dealer, distributor, or sales representative.

LIABILITY

THE FOREGOING WARRANTY IS VGC'S SOLE AND EXCLUSIVE WARRANTY. THE IMPLIED WARRANTY OF MERCHANTABILITY AND FITNESS FOR A PARTICULAR PURPOSE AND ANY OTHER REQUIRED IMPLIED WARRANTY SHALL EXPIRE AT THE END OF THE WARRANTY PERIOD. THERE ARE NO OTHER WARRANTIES (INCLUDING WITHOUT LIMITATION WARRANTIES FOR CONSUMABLES AND OTHER SUPPLIES) OF ANY NATURE WHATSOEVER, WHETHER ARISING IN CONTRACT, TORT, NEGLIGENCE OF ANY DEGREE, STRICT LIABILITY OR OTHERWISE, WITH RESPECT TO THE PRODUCTS OR ANY PART THEREOF DELIVERED HEREUNDER, OR FOR ANY DAMAGES AND/OR LOSSES (INCLUDING LOSS OF USE, REVENUE, AND/OR PROFITS). SOME STATES DO NOT ALLOW THE EXCLUSION OR LIMITATION OF INCIDENTAL OR CONSEQUENTIAL DAMAGES OR THE LIMITATION ON HOW LONG AN IMPLIED WARRANTY LASTS, SO THE ABOVE LIMITATIONS MAY NOT APPLY TO YOU. IN ANY EVENT, TO THE MAXIMUM EXTENT PERMITTED UNDER APPLICABLE LAW, VGC'S LIABILITY TO CUSTOMER HEREUNDER SHALL NOT UNDER ANY CIRCUMSTANCES EXCEED THE COST OF REPAIRING OR REPLACING ANY PART(S) FOUND TO BE DEFECTIVE WITHIN THE WARRANTY PERIOD AS AFORESAID.

This warranty does not cover any damage to a product resulting from cause other than part defect and malfunction. The VGC warranty does not cover any defect, malfunction, or failure caused beyond the control of VGC, including unreasonable or negligent operation, abuse, accident, failure to follow instructions in the manual, defective or improperly associated equipment, attempts at modification and repair not approved by VGC, and shipping damage. Products with their serial numbers removed or defaced are not covered by this warranty.

This warranty does not include defects arising from installation (when not performed by VGC), lightning, power outages and fluctuations, air conditioning failure, improper integration with non-approved components, defects or failures

of customer furnished components resulting in damage to VGC provided product.

This limited warranty is not transferable and cannot be enforced by anyone other than the original consumer purchaser.

This warranty gives you specific legal rights and you may have other rights which vary from country to country.