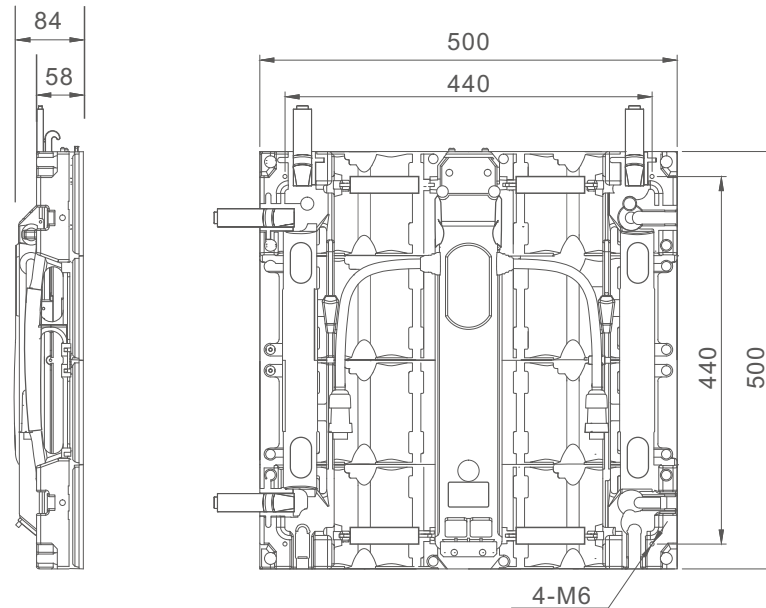
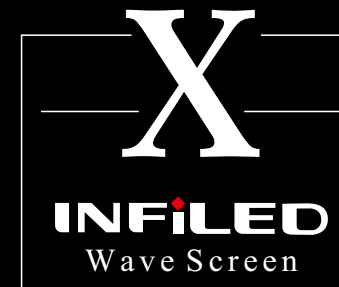


- Smart module with flash memory function which can save module calibration data(optional).



Specifications

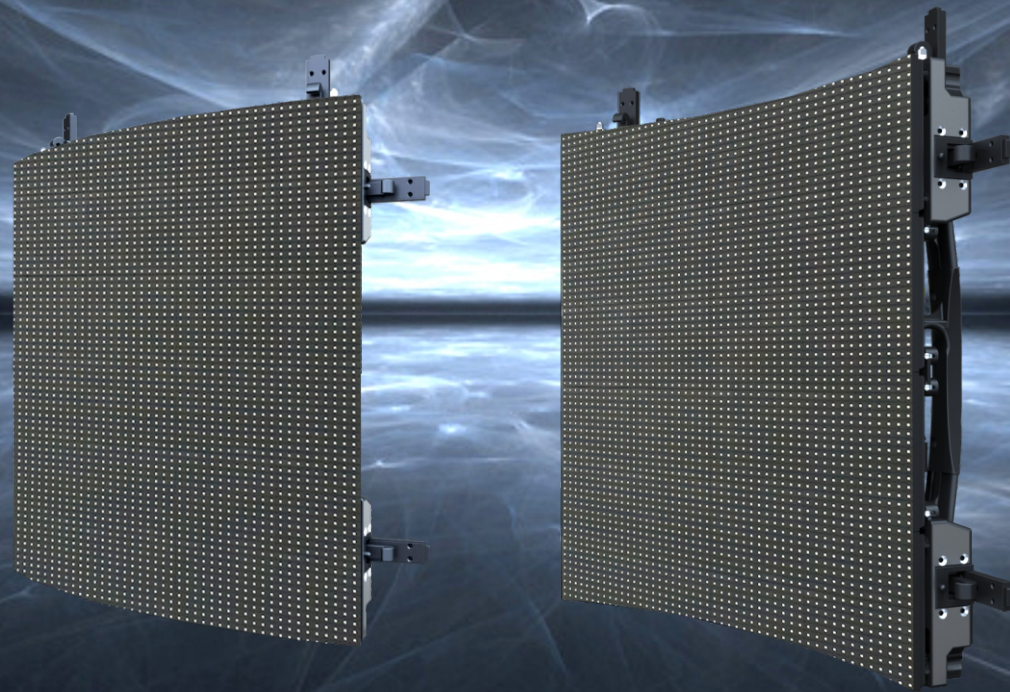
Part Number	IL-RSS-X3	IL-RSS-X6
Pixel Pitch	3.9mm	6.25mm
Physical Density	65,536pixels/m ²	25,600pixels/m ²
Virtual Density	N/A	N/A
LED Arrangement	2020 Black LED	2623 Black LED
Module Resolution	128×32pixels	80×20pixels
Module Dimension	500×125mm	500×125mm
Cabinet Resolution	128×128pixels	80×80pixels
Cabinet Dimension	500×500×84mm	500×500×84mm
Cabinet Weight	8.9kg	9.4kg
Brightness Level	1,200~1,700nits	3,000~4,000nits
Max Power Consumption	200W/panel	200W/panel
Ave Power Consumption	66.7W/panel	66.7W/panel
Viewing Angle	140°/140°	140°/140°
Operating Power Source	AC90-260V 50-60Hz	AC90-260V 50-60Hz
Operating Temperature	-10~+45°C	-10~+45°C
Refresh Rate	1,000~2,400Hz (configurable)	1,000~2,400Hz (configurable)
Curvable Rate	5 Levels(+20°, +10°, 0°, -10°, -20°)	5 Levels(+20°, +10°, 0°, -10°, -20°)
Life Span	100,000Hours	100,000Hours
MTBF	5,000Hours	5,000Hours
Protecting Rating	IP30	IP65
Signal Input Source	Composite, S-Video, Component, VGA, DVI, HDMI, SDI, HD SDI	Composite, S-Video, Component, VGA, DVI, HDMI, SDI, HD SDI



Abnormity Shape

Concave & Convex Flexible Panel

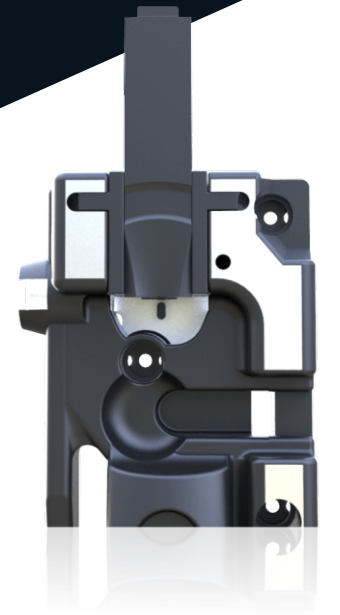
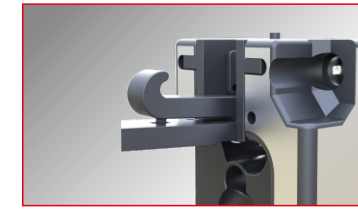
Highly flexible, ultra-thin, super-light and featuring full black LED, the X Series is the perfect wave screen for your choice!



Wave Screen High Refresh High Brightness Light Weight Rental/Fixed Thin

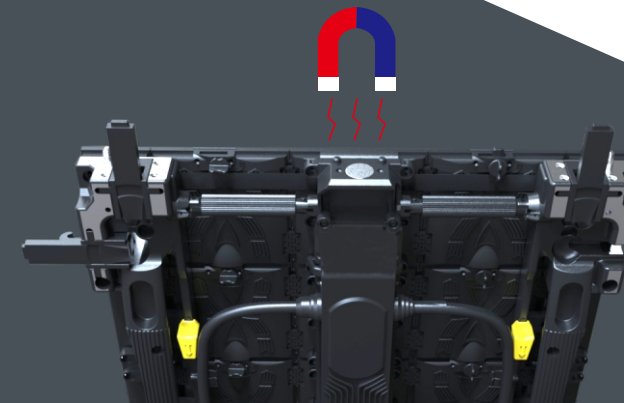
ONE-ACTION LOCKING

Patented One-Action locking mechanism with positioning pins.



MAGNETIC CONNECTION

Magnetic connection is applied for fastening and easy service with positioning pin between two panels.



FLEXIBLE MODULES

Angle adjustment is easy and fast.
Bend angle can reach to 20° with 5 levels.
And the angles used are clearly indicated with marks.



Perfect Wave Display